

## APPLICATION SHEET

# Fire Suppression system

## Rental and services

In order to protect the environment and residential area, regulations require checks to be carried out on fire installations at oil depots.

Depending on the size and classification of the depot, these checks may require the simultaneous installation of several flowmeters.

Faure Herman portable ultrasonic flowmeters can be incorporated into the fire defense plan governed by legislation.

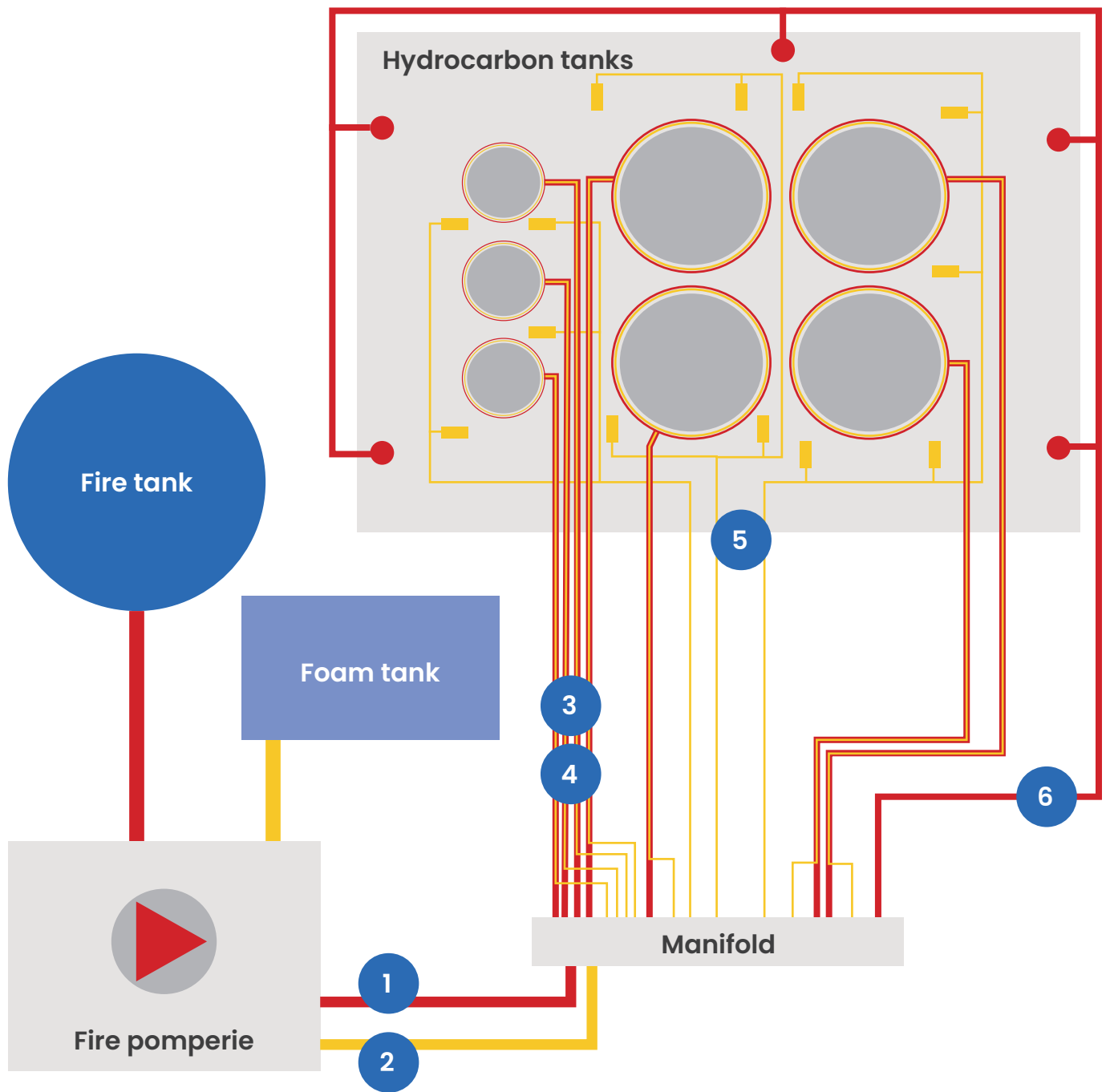
### **Example:**

On behalf of France's leading oil and gas transporter, several measurement readings were recorded based on the customer's requirements.

Over 20 flow measurements were recorded simultaneously and delivered to the customer.

The various pipes involved in the scenarios were measured:

- The main water network
- The foam network
- Water coils
- Foam coils
- Tanks weirs
- Water curtains



1 The main water network

2 The foam network

3 The water crowns

4 Foam crowns

5 Tanks weirs

6 Water curtains

## Equipment used

Faure Herman has a fleet of portable ultrasonic flowmeters for rent.

These devices are delivered in their shock-proof, watertight cases with all the accessories needed to carry out non-intrusive flow measurements on all sizes of pipe within your fire suppression system.



Rental case  
Portable ultrasonic flowmeter



Water network, Emulsifier network

## Performance

Depending on the straight lengths available and an accurate cross-section survey, the measurement uncertainty can be better than 2%.

## Customer benefits

- Checking the performance of network supply pumps
- Checking the flow meters in place
- Checking the balancing of the fire suppression system
- Better understanding of network performance
- Check with the relevant authorities that the network is operating correctly

## Our strengths:

- Large rental fleet for complete network characterization
- Tested and calibrated equipment
- Non-intrusive measurement: No process stoppage / No pressure drop
- Possibility of working on a wide range of diameters (12 mm to 10 m - 0.5 inches to 32 feet)
- Dynamic measurement with excellent response time
- Easy to install
- Option: Turnkey service - Recording measurements and drafting a report



Faure Herman  
2, Lieu-dit l'Archette  
72400 La Ferté Bernard  
FRANCE  
+33 2 43 60 28 60

[faureherman.com](http://faureherman.com)